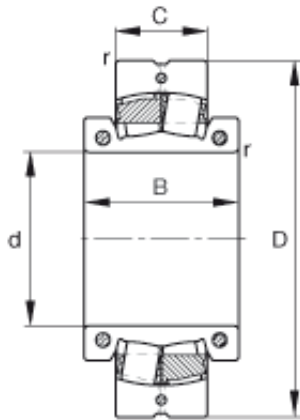




Bearing de Mexico, S.A.



5 1/2 inch x 240 mm x 106 mm FAG 230S.508-MA spherical roller bearings

Bearing No. 230S.508-MA

230S.508-MA Bearing 2D drawings and 3D CAD models

Size	139.7x240x60 mm
Bore Diameter	139,7 mm
Outer Diameter	240 mm
Width	60 mm
d	139,7 mm
d	5 1/2 inch
D	240 mm
C	60 mm
B	106 mm
r_{\min}	2,1 mm
m	13,7 kg / Weight
C_r	450000 N / Dynamic load rating (radial)
e	0,22
Y_1	3,1
Y_2	4,62
C_{0r}	680000 N / Static load rating (radial)
Y_0	3,03
n_G	1130 1/min / Limiting speed
C_{ur}	51000 N / Fatigue limit load, radial
$F_{a \max}$	13800 N / Permissible axial load, for inner ring without axial abutment
M_i	35 Nm / Tightening torque



Bearing de Mexico, S.A.

	per clamping screw
M_a	9 Nm / Tightening torque per clamping screw
	23032K / Designation, spherical roller bearing, unsplit
	SNP3032.508