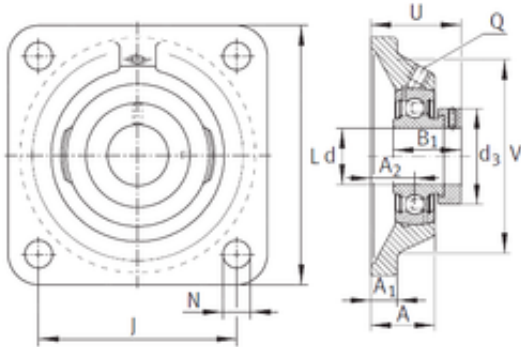




Bearing de Mexico, S.A.

INA PCJ1/2 bearing units



Bearing No. PCJ1/2

Bore Diameter	12,7 mm
d	12,7 mm
V	59,004 mm
U	39,091 mm
Thread (Q) - 1/4-28 UNF	1/428 UNF
d3	27,991 mm
A	24,003 mm
A1	10,008 mm
B	28,6 mm
J	54 mm
L	75,997 mm
N	11,506 mm
A2	16,993 mm
Category	Flange Block Bearings
Inventory	0.0
Manufacturer Name	SCHAEFFLER GROUP
Minimum Buy Quantity	N/A
Weight / Kilogram	0.623
Product Group	M06110
Number of Mounting Holes	4
Mounting Method	Eccentric Collar
Housing Style	4 Bolt Square Flange Block
Rolling Element	Ball Bearing
Housing Material	Cast Iron
Expansion / Non-expansion	Non-expansion
Mounting Bolts	29/64 Inch

PCJ1/2 Bearing 2D drawings and 3D CAD models



Bearing de Mexico, S.A.

Relubricatable	Yes
Insert Part Number	GRA008NPPB
Seals	Double Lip Contact
Housing Configuration	1 Piece Solid
Pilot Configuration	No Pilot
Inch - Metric	Inch
Long Description	4 Bolt Square Flange Block; 1/2" Bore; 3" Bolt Circle; 2.126" Bolt Spacing; 1 Piece Solid; Eccentric Collar Mount; Cast Iron; Ball Bearing; 1-1/8" Length Thru Bore; Relubricatable;
Other Features	Single Row With Set Screw
Category	Flange Block
UNSPSC	31171501
Harmonized Tariff Code	8483.20.40.40
Noun	Bearing
Keyword String	Flanged
Manufacturer URL	http://www.ina.com
Manufacturer Item Number	PCJ1/2
Weight / LBS	1.103
Length Thru Bore	1.126 Inch 28.6 Millimeter
Bolt Spacing	2.126 Inch 54 Millimeter
Bore	0.5 Inch 12.7 Millimeter
Cartridge Pilot Diameter	0 Inch 0 Millimeter
Cartridge Pilot Depth	0 Inch 0 Millimeter
Nominal Bolt Circle Diameter Round	3 Inch 76 Millimeter