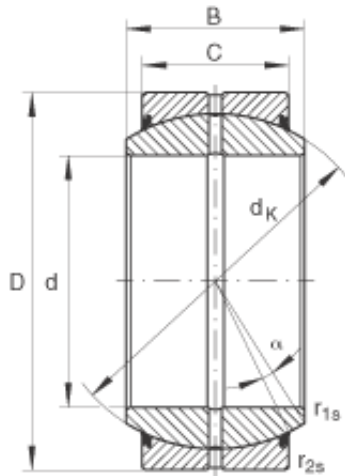




## Bearing de Mexico, S.A.



GE60-DO-2RS Bearing 2D drawings and 3D CAD models

### INA GE60-DO-2RS plain bearings

Bearing No. GE60-DO-2RS

Size	60x90x44 mm
Bore Diameter	60 mm
Outer Diameter	90 mm
Width	44 mm
C	36 mm
$D_{a \min}$	75 mm
$d_{a \max}$	66,8 mm
$d_K$	80 mm
$r_{1s \min}$	1 mm
$r_{2s \min}$	1 mm
alf ( ° )	6
Weight (kg)	1
$C_r$ (N)	245000
$C_{Or}$ (N)	1220000
Category	Spherical Plain Bearings - Radial
Inventory	0.0
Manufacturer Name	SCHAEFFLER GROUP
Minimum Buy Quantity	N/A
Weight / Kilogram	1.199
Product Group	B04264
Self Aligning	Yes
Rolling Element	Spherical Plain
Material - Outer Member	Steel
Material - Ball	Steel
Material - Liner	Not Applicable



## Bearing de Mexico, S.A.

Relubricatable	Yes
Enclosure	2 Seals
Other Features	2 Piece   Single Axial Split in Outer Ring
Long Description	60MM Bore; 36MM Housing Width; 90MM Outside Diameter; Spherical Plain; Steel Outer Member; Steel Ball; No Liner; 44MM Overall Width; Relubricatable
Inch - Metric	Metric
Category	Plain Bearings Spherical Radial
UNSPSC	31171515
Harmonized Tariff Code	8483.30.80.70
Noun	Bearing
Keyword 3	Spherical
Keyword String	Plain Spherical Radial
Manufacturer URL	<a href="http://www.ina.com">http://www.ina.com</a>
Manufacturer Item Number	GE60DO2RS
Weight / LBS	2.205
Housing Width	1.417 Inch   36 Millimeter
Overall Width	1.732 Inch   44 Millimeter
Bore	2.362 Inch   60 Millimeter
Outside Diameter	3.543 Inch   90 Millimeter